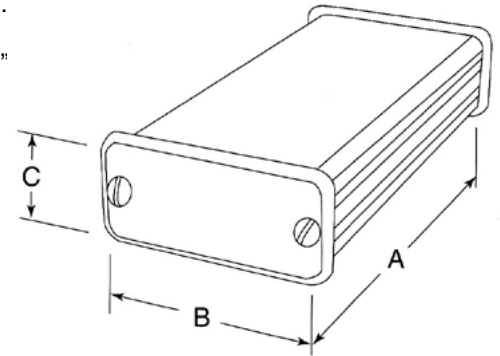


Hammond Instrument Extruded Aluminum Boxes - 1455 "02" Plastic End Panels

- Plastic end version contains two easy to machine black solid plastic end panels. Panels are one piece with integral bezel.
- Extruded body includes a slide removable "belly" plate - except in smaller "A", "B" and "C" size.
- Smaller sizes (A & B) are rounded for better hand held ergonomics.
- PCB boards mount in slots in the extrusion.
- Coloured plastic ends available.
- Custom length assemblies available—minimum quantity may apply.



Part Number - Plastic End Version		Length A	Width B	Height C
Clear	Black			
26-1455A802	26-1455A802BK	80	70	12
26-1455B802	26-1455B802BK	80	71.7	19
26-1455C802	26-1455C802BK	80	54	23
26-1455A1002	26-1455A1002BK	100	70	12
26-1455B1002	26-1455B1002BK	100	71.7	19
26-1455A1202	26-1455A1202BK	120	70	12
26-1455B1202	26-1455B1202BK	120	71.7	19
26-1455C1202	26-1455C1202BK	120	54	23
26-1455J1202	26-1455J1202BK	120	78	27
26-1455K1202	26-1455K1202BK	120	78	43
26-1455L1202	26-1455L1202BK	120	103	30.5
26-1455N1202	26-1455N1202BK	120	103	53
26-1455J1602	26-1455J1602BK	160	78	27
26-1455K1602	26-1455K1602BK	160	78	43
26-1455L1602	26-1455L1602BK	160	103	30.5
26-1455N1602	26-1455N1602BK	160	103	53
26-1455P1602	26-1455P1602BK	160	125	30.5
26-1455Q1602	26-1455Q1602BK	160	125	51.5
26-1455R1602	26-1455R1602BK	160	165	30.5
26-1455T1602	26-1455T1602BK	160	165	51.5
26-1455L2202	26-1455L2202BK	220	103	30.5
26-1455N2202	26-1455N2202BK	220	103	53
26-1455P2202	26-1455P2202BK	220	125	30.5
26-1455Q2202	26-1455Q2202BK	220	125	51.5
26-1455R2202	26-1455R2202BK	220	165	30.5
26-1455T2202	26-1455T2202BK	220	165	51.5