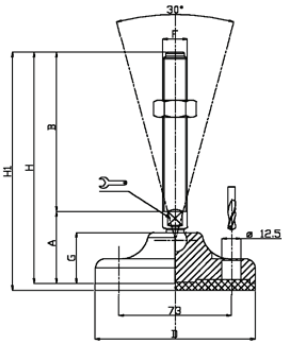


Plastic Line | Steel

Black Polyamide Plastic Base 103 Diameter - 30 Deg. Articulated Steel Screw

Static Load Newton 25000 • 15 Socket • Non-Skid NBR Rubber 70 shore pads available

Part no. Base	Part no. Screw	Screw	S	B	D	Adjust	F	G	H
11-FBP15-103	11-ASS15-16-075	M16X75	51	75	103	20	M16	32	126
11-FBP15-103	11-ASS15-16-100	M16X100	51	100	103	20	M16	32	151
11-FBP15-103	11-ASS15-16-150	M16X150	51	150	103	20	M16	32	201
11-FBP15-103	11-ASS15-16-175	M16X175	51	175	103	20	M16	32	226
11-FBP15-103	11-ASS15-20-100	M20X100	51	100	103	20	M20	32	151
11-FBP15-103	11-ASS15-20-150	M20X150	51	150	103	20	M20	32	201
11-FBP15-103	11-ASS15-20-175	M20X175	51	175	103	20	M20	32	226
11-FBP15-103	11-ASS15-20-200	M20X200	51	200	103	20	M20	32	251
11-FBP15-103	11-ASS15-20-225	M20X225	51	225	103	20	M20	32	276

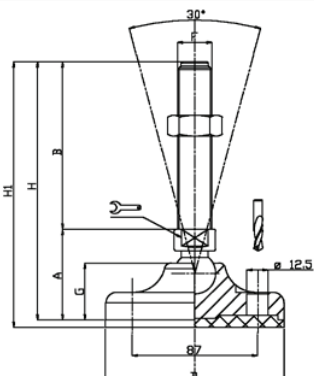


Two piece part

Black Polyamide Plastic Base 123 Dia. - 30 Deg. Articulated Steel Screw

Static Load Newton 35000 • 15 Socket • Non-Skid NBR Rubber 70 shore pads available

Part no. Base	Part no. Screw	Screw	S	B	D	Adjust	F	G	H
11-FBP15-123	11-ASS15-16-075	M16X75	57	75	123	20	M16	37	132
11-FBP15-123	11-ASS15-16-100	M16X100	57	100	123	20	M16	37	157
11-FBP15-123	11-ASS15-16-150	M16X150	57	150	123	20	M16	37	207
11-FBP15-123	11-ASS15-16-175	M16X175	57	175	123	20	M16	37	232
11-FBP15-123	11-ASS15-20-100	M20X100	57	100	123	20	M20	37	157
11-FBP15-123	11-ASS15-20-150	M20X150	57	150	123	20	M20	37	207
11-FBP15-123	11-ASS15-20-175	M20X175	57	175	123	20	M20	37	232
11-FBP15-123	11-ASS15-20-200	M20X200	57	200	123	20	M20	37	257
11-FBP15-123	11-ASS15-20-225	M20X225	57	225	123	20	M20	37	282



Two piece part