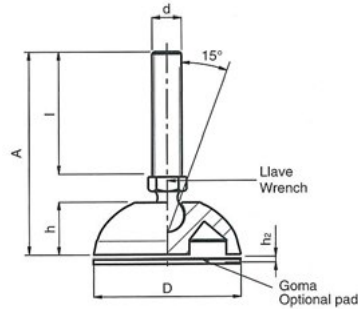


4204 – Adjustable Feet - Plastic

Reinforced black Polyamide base and stud • Optional non skid rubber pad black PVC

* Max Static Load

Part Number	D	h	d	l	A	Wrench	h2	Kg*
11-AFP60P16-67	60	17	M16	67	101	24	3	700
11-AFP60P20-140	60	17	M20	140	174	24	3	750



4204 - Adjustable Feet - Plastic

Reinforced black Polyamide base and stud • Optional non skid rubber pad black PVC

* Max Static Load

Part Number	D	D1	h	d	l	A	d2	Wrench	h2	Kg*
11-AFP80P16-67	80	54	17	M16	67	104	9	24	3	700
11-AFP80P20-140	80	54	17	M20	140	177	9	24	3	750
11-AFP102P16-67	102	74	20	M16	67	107	10.5	24	3	700
11-AFP102P20-140	102	74	20	M20	140	180	10.5	24	3	750

