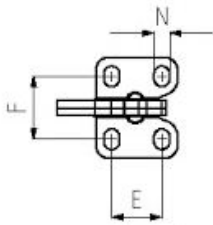
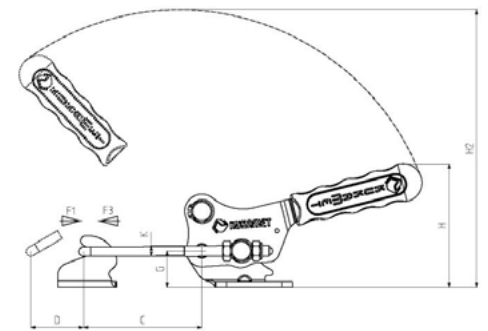
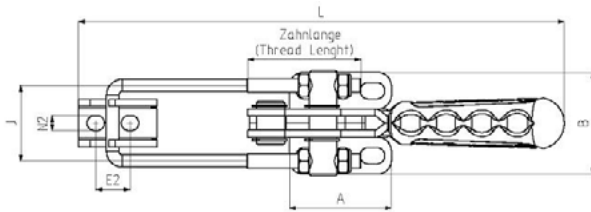


311- Latch Toggle Clamps with U Hook

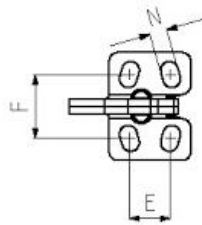
Body Mounting Base: Horizontal

Part Number	F1 (kg)	F3 (kg)	Thread Length
19-311-1	101	152	40
19-311-2	152	203	35
19-311-3	224	326	35
19-311-4	713	815	50
19-311-5	1019	1121	70

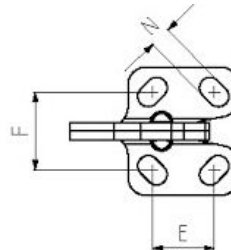
F1 Exerting Force. F3 Holding Capacity



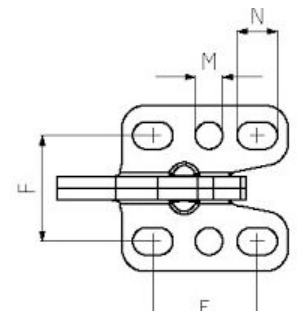
19-311-1



19-311-2



19-311-3



19-311-4 &
19-311-5

Part Number	A	B	C min.	C max.	D	E	E2	F	G	H	H2	J	K	L min.	L max.	M	N	N2
19-311-1	26	32	25	65	20	16	10	18.5-21.5	13	55	110	23	M4	125	165	-	5x6.5	5
19-311-2	28	37	25	60	25	13-15	10-14	19-24.5	17	58	120	23	M4	135	170	-	6 x 9	5.5x8
19-311-3	39.5	46	35	70	35	19-25	16	25-31	21.5	67	160	30	M6	175	210	-	7.5 x 11.5	6.5
19-311-4	58	58	45	95	44	32-41	18-21	37	27.5	91	200	43	M8	230	280	9.5	9.5x14	8.5x10
19-311-5	58	58	55	125	44	32-41	18-21	37	27.5	93	204	45	M10	241	311	9.5	9.5x14	8.5x10