

ASA Flange Covers

ASA Vinyl Flange Covers unique design protects critical flange faces, preventing interior damage and contamination.

Covers fit most American Standard Association Navy and Military sizes.

Flange Covers won't warp, swell, tear or split.

Features

Resists weather, moisture and chemicals.

Cushions against abrasive contacts.

Applications

Flanges and Joints, Valves, Vessels & Pipes

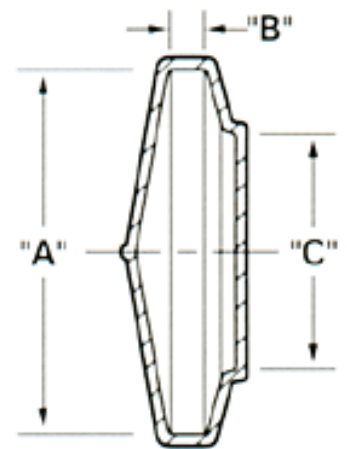
Colours

Standard stock colour is Yellow.

Material

75 durometer PVC with a glossy finish.

See material chart for specifications.



Part Number	A		B	
	Inches	mm	Inches	mm
14-FVASA088	3.48	88.39	10.16	63.12
14-FVASA095	3.75	95.25	12.70	69.85
14-FVASA098	3.87	98.30	13.72	72.64
14-FVASA107	4.25	107.95	11.68	82.80
14-FVASA118	4.66	118.36	12.70	91.95
14-FVASA123	4.87	123.70	17.27	99.06
14-FVASA127	5.00	127.00	15.75	101.60
14-FVASA133	5.25	133.35	19.30	107.95
14-FVASA152	6.00	152.40	17.15	114.30
14-FVASA155	6.12	155.45	20.96	129.79
14-FVASA165	6.50	165.10	22.86	139.70
14-FVASA177	7.00	177.80	20.32	152.40
14-FVASA190	7.50	190.50	22.86	165.10
14-FVASA209	8.25	209.55	33.02	182.88
14-FVASA228	9.00	228.60	25.40	203.96
14-FVASA254	10.03	254.76	22.23	228.60
14-FVASA273	10.75	273.05	38.10	247.14
14-FVASA279	11.00	279.40	25.40	255.27
14-FVASA317	12.50	317.50	36.58	292.10
14-FVASA342	13.50	342.90	25.40	317.50